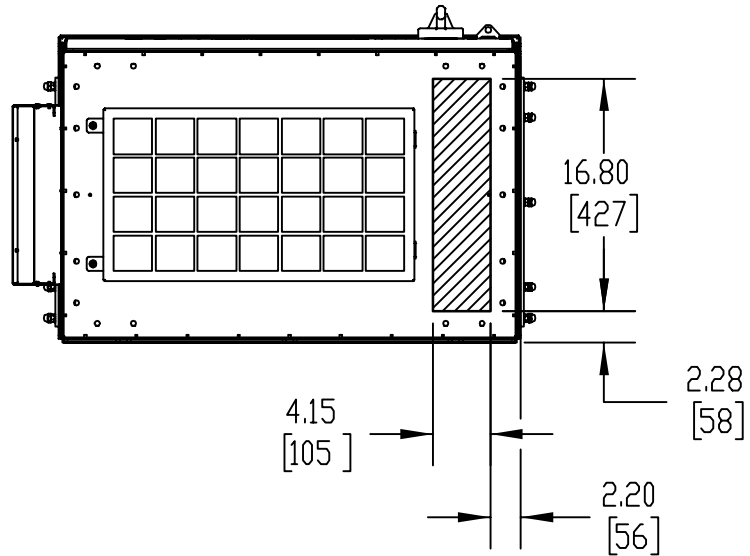
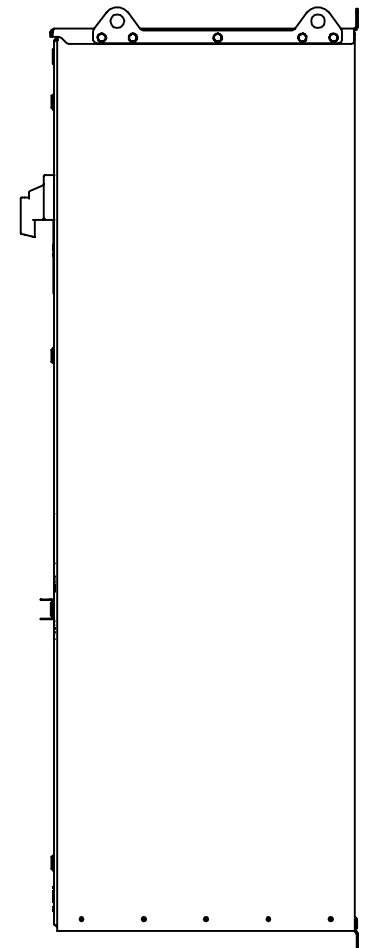
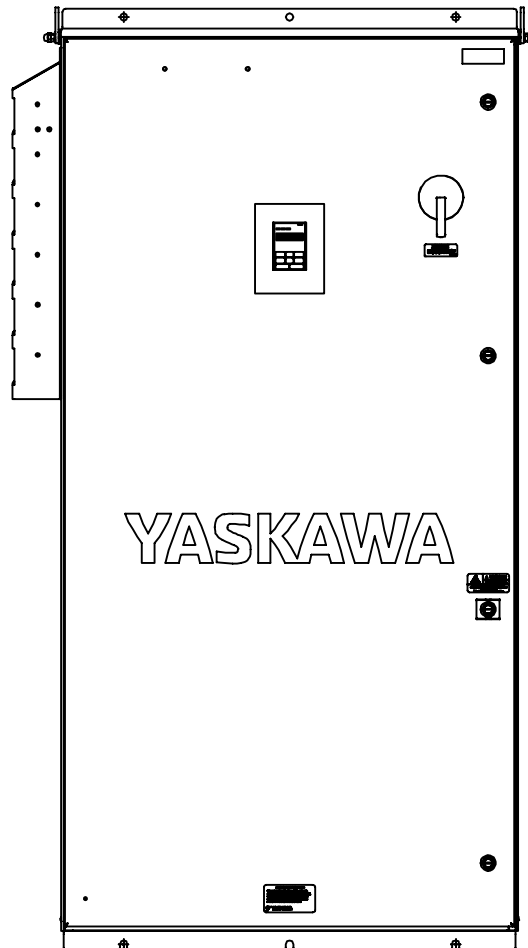
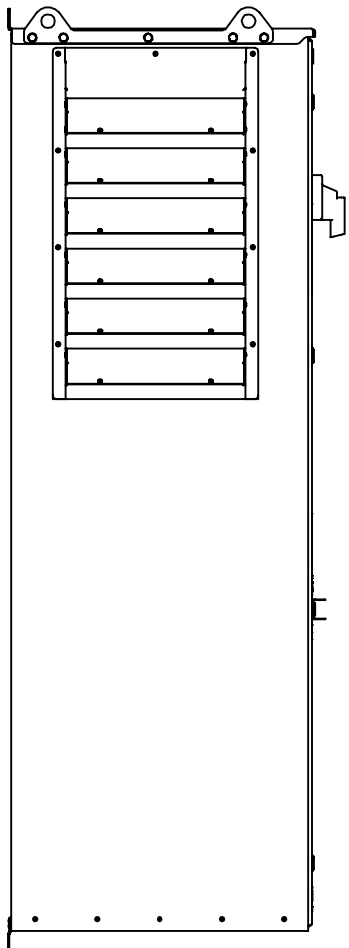
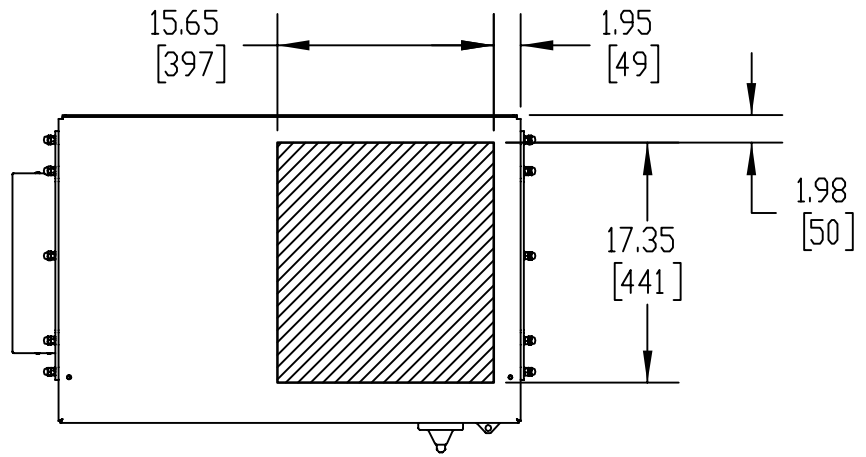


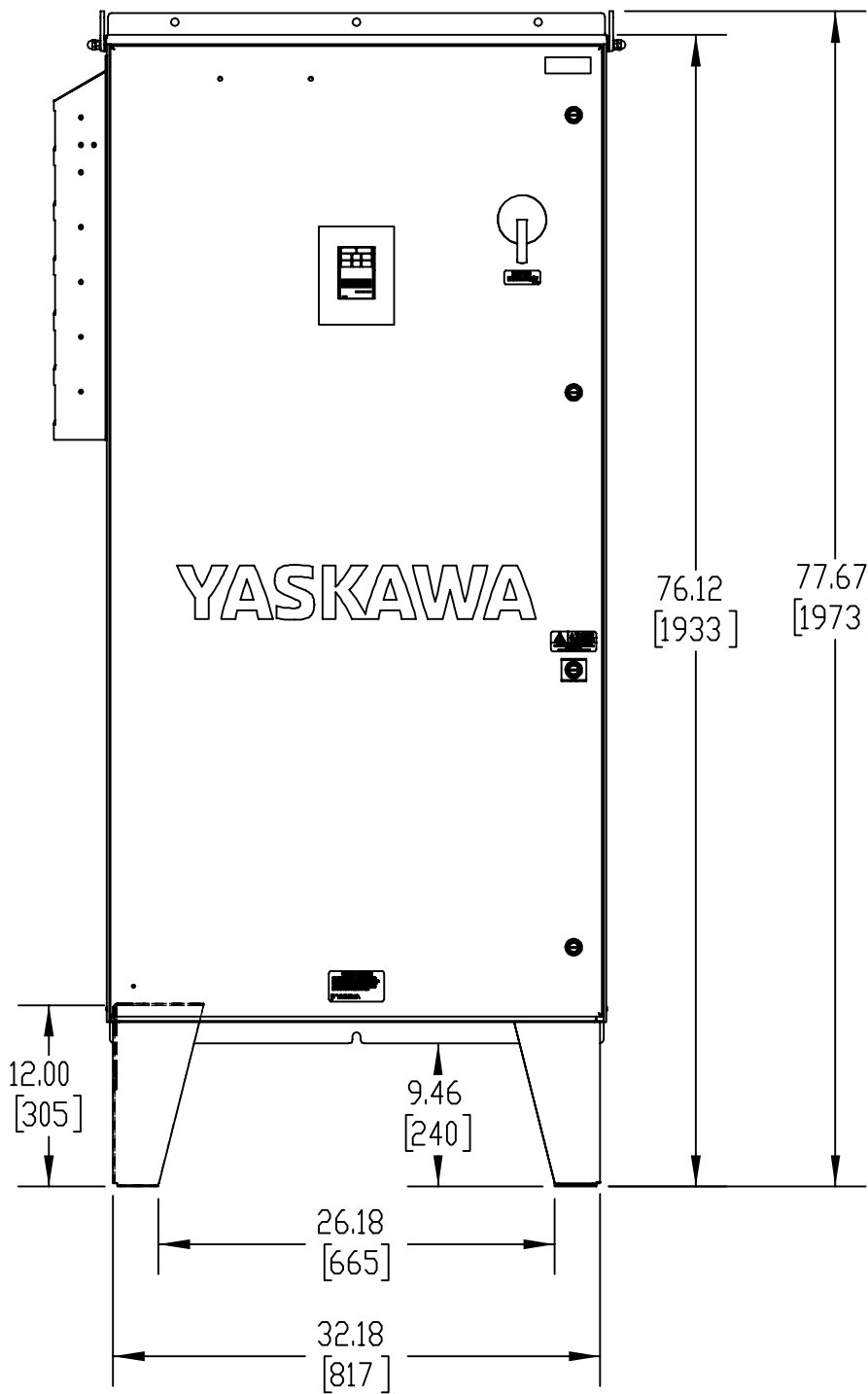
- NOTES:
- A. FOR REFERENCE ONLY UNLESS PROPERLY ENDORSED. FOR ADDITIONAL DETAILS AND SPECIFICATIONS, CONSULT FACTORY.
 - B. DIMENSIONS ARE IN INCHES[MILLIMETERS].
 - C. USE APPROPRIATE TYPE RATED HUBS OR FITTINGS TO MAINTAIN ENCLOSURE RATING.

REVISIONS					YASKAWA	DRAWN:	DATE	TITLE:		
REV.	DESCRIPTION	ECR#	DRAWN BY	DATE		THIS DOCUMENT AND INFORMATION CONTAINED IN IT ARE CONFIDENTIAL, AND CANNOT BE COPIED OR DISCLOSED IN WHOLE OR IN PART WITHOUT THE EXPRESS WRITTEN CONSENT OF YASKAWA AMERICA INC.	N. Laws	10/22/2020	DIMENSION DRAWING, U1000, 3R, W4	
01	ADDED PG's 2 & 3	11178	NSL	03/04/2021		CHECKED:	DATE	MATERIAL #		
00	INITIAL RELEASE	----	NSL	10/26/2020		K. Peoples	10/23/2020	SIZE	REVISION	PAGE
						TECH:	DATE	A	01	1 OF 3
						APPROVED:	DATE	DRAWING #:		
						R. Jensen	10/26/2020	DD.U1E.3R.W4.01		
						ORIGINAL DESIGN:	DATE			
						N. Laws	10/22/2020			

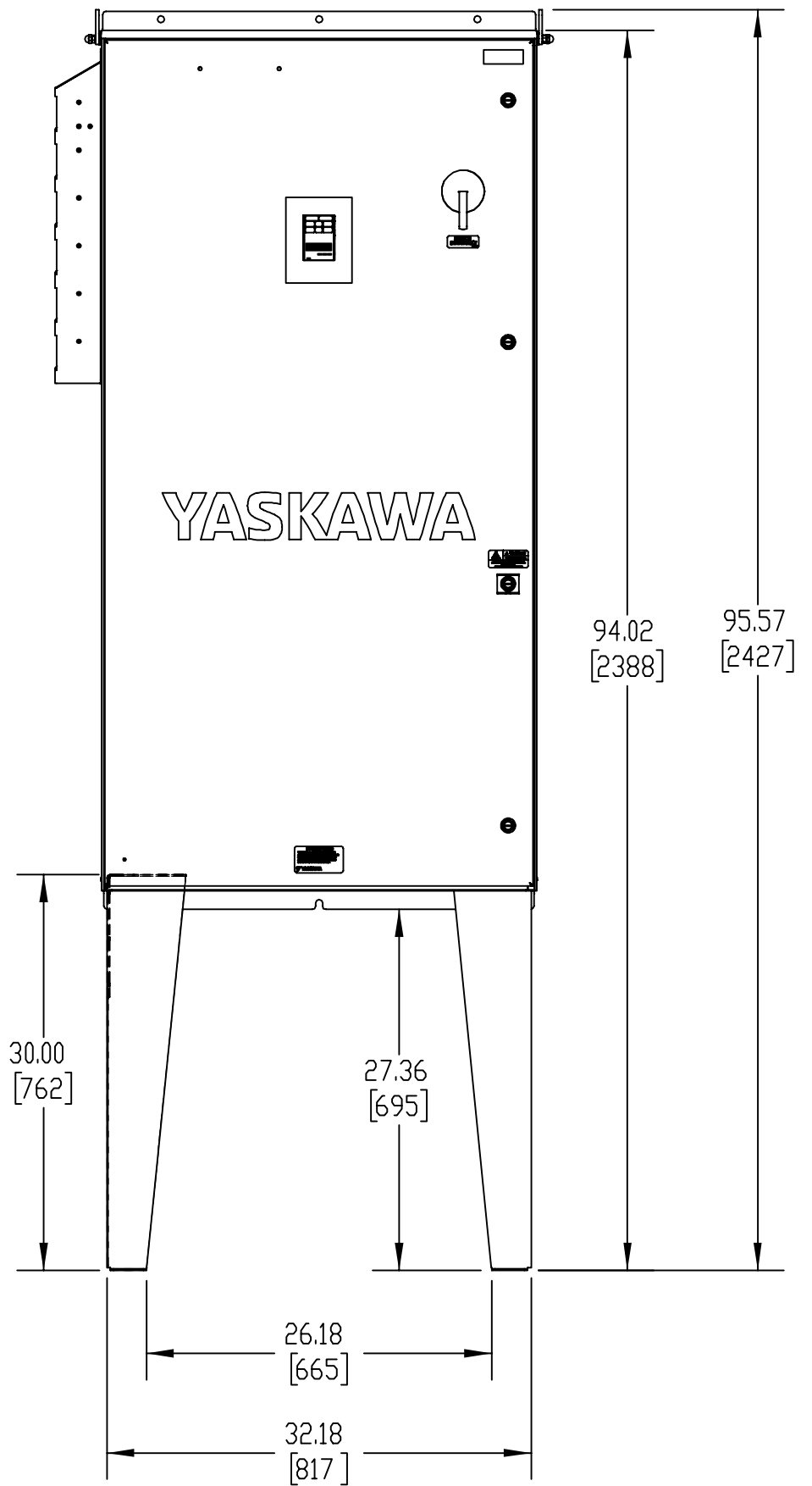


YASKAWA	DRAWN: N. Laws	DATE: 10/22/2020	TITLE: DIMENSION DRAWING, U1000, 3R, W4		
	CHECKED: K. Peoples	DATE: 10/23/2020			
THIS DOCUMENT AND INFORMATION CONTAINED IN IT ARE CONFIDENTIAL, AND CANNOT BE COPIED OR DISCLOSED IN WHOLE OR IN PART WITHOUT THE EXPRESS WRITTEN CONSENT OF YASKAWA AMERICA INC.	TECH:	DATE:	MATERIAL #		
	APPROVED: R. Jensen	DATE: 10/26/2020	SIZE: A	REVISION: 01	PAGE: 2 OF 3
	ORIGINAL DESIGN: N. Laws	DATE: 10/22/2020	DRAWING #: DD.U1E.3R.W4.01		

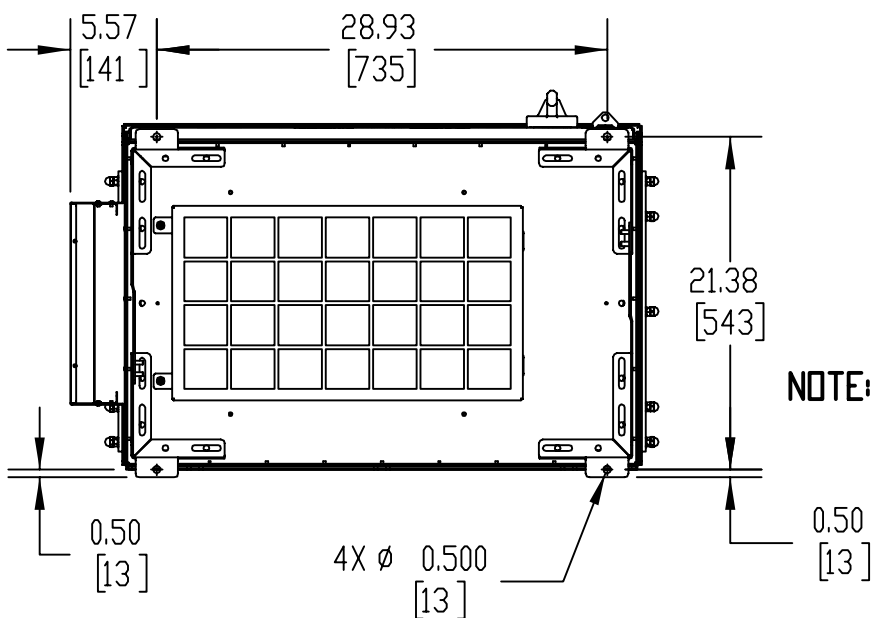
LEG STAND MOUNTING OPTION DIMENSIONS



12" HIGH LEGS



30" HIGH LEGS



NOTE: DRILL PATTERN IS SAME FOR 12" AND 30" LEGS

YASKAWA	DRAWN: N. Laws CHECKED: K. Peoples TECH:	DATE: 10/22/2020 DATE: 10/23/2020 DATE:	TITLE: DIMENSION DRAWING, U1000, 3R, W4		
	APPROVED: R. Jensen ORIGINAL DESIGN: N. Laws	DATE: 10/26/2020 DATE: 10/22/2020			
THIS DOCUMENT AND INFORMATION CONTAINED IN IT ARE CONFIDENTIAL, AND CANNOT BE COPIED OR DISCLOSED IN WHOLE OR IN PART WITHOUT THE EXPRESS WRITTEN CONSENT OF YASKAWA AMERICA INC.			DRAWING #: DD.U1E.3R.W4.01		